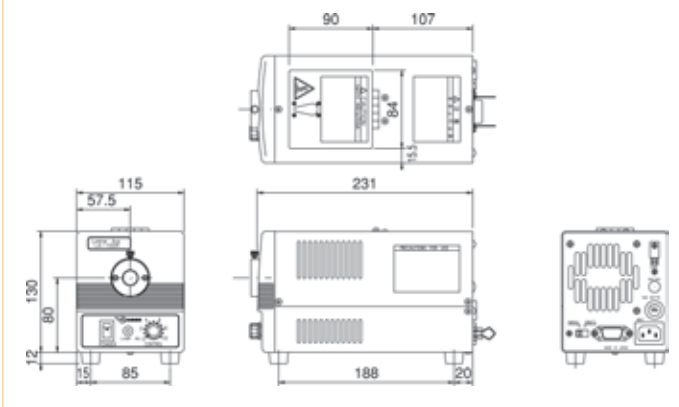


LA-100IR

RoHS PSE



EXTERNAL DIMENSION DRAWING 外觀圖



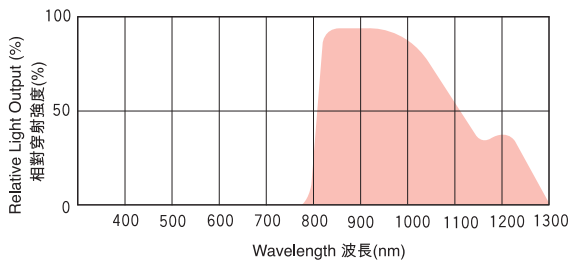
Powerful Lighting In IR Solution 高性能紅外線照明方案

Features 特長

LA-100IR is infrared rays device which irradiates only infrared rays of Halogen Lamp.
Halogen Lamp with infrared rays reflection mirror and IR80 filter. Transmitted over 800nm are build in.
Infrared rays over 800-1100nm are irradiated without taking out visible light.

LA-100IR是只射出鹵燈的近紅外線的光源裝置。因內置帶有反射近紅外線反射鏡的鹵燈和IR80過濾片(800nm以上才可透過)所以只射出近紅外線(800nm~1100nm)。

LA-100IR Illuminating Spectrum Distribution 光譜分佈圖



Specifications 規格

LA-100IR	
Power supply 輸入電壓	AC100V~120V / 200V~240V Auto Detect 自動切斷
Rated frequency 頻率	50 / 60Hz
Power consumption 耗電量	130W
Lamp type 燈泡	JCR12V100W10H/IR Long life halogen lamp with a infrared rays mirror 帶有反射近紅外線反射鏡的鹵燈 ※1 Average life 平均壽命:1000(H)小時
Output type 輸出方式	直流型 DC
Light intensity adjustment 光亮調節	Output voltage adjustment method 輸出電壓可變方式 Adjustment range 可變範圍: DC3V~12V Lighting adjustment range 光亮變化範圍: 2%~100%
Protection circuit 保護功能	Overload circuit: Auto recovery(Auto restart) 超電流保護回路:(自動恢復型) Overheat circuit: Auto shut down and auto recovery (Auto restart) 過熱保護回路:輸出切斷型(再接通電源即可恢復型)
Cooling method 冷卻方式	Forced air 強冷風扇
Filter 過濾片	IR80 filter 過濾片
Condition of temp. for operation 使用環境溫度	0℃~+40℃ / 20%~80%RH (Non-moisture) (無結露)
Circuit breaker 保險絲	AC250VT4A Glass tube-fuse 玻璃管保險絲 (Φ5.2×20mm)
Remote function 程控功能	1) Lamp 燈泡ON / OFF 2) Light intensity adjustment remote function (control DC 0V~+5VMAX)※2 光亮調節程控功能 (控制電壓為DC 0V~+5VMAX)※2 3) Lamp burn-out detect function (LED) Outputs a lamp burn-out signal when the lamp is burn-out※3 燈泡燒斷檢測功能(監視LED顯示燈)燈泡燒斷、未裝時輸出燈泡燒斷信號※3
Dimensions尺寸	H130×W115×D231 (Exposed item not include)(凸起部位除外)
Weight重量(Kg)	2.7 kg

※1 Average lamp life is calculated from test results and is not guaranteed. 燈泡壽命為實測值，並非保證值
※2 Remote function refer to P.17. 程控功能請參照17頁。
※3 Lamp supply voltage below 3V, the bulb blown seized detection function can not be started. 燈泡的供給電壓在3V以下時，燈泡燒斷檢測功能無法啟動。