



LA-HDF15T LED Light Source

LED light source mounted with light guide without a cooling fan.
Small form factor, cost effective.

Features

- Space-saving design, position horizontally or vertically
- 16W LED light source equivalent to 75W halogen light intensity
- Long life span (15 times more than halogen lamp)
- Easy to carry with handles
- Natural heat dissipation (no fan) enabling quiet, dust & vibration free environment, ideal for microscopic lab
- DC24V input, can use with battery



Specifications

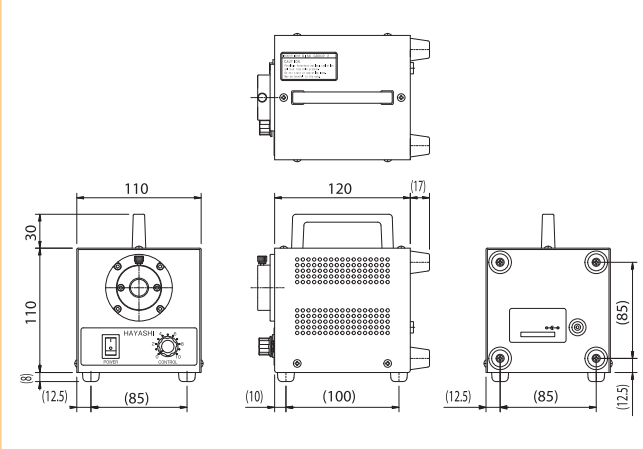
LED Light Source

Input voltage	DC24V, 1A
Power consumption	16W
Light intensity adjustment	0 to 100%
LED life span	30,000 (H)
Environment	0 - 40°C/20 - 80% RH (no condensation)
Dimensions	W110 x H110 x D120mm (Extruded areas not included)
Weight	1.7kg

Power Adapter

Input	AC 100 - 240V, 50/60 Hz, 0.6 A
Output	DC 24V, 1A
LED life span	30,000 (H)
Environment	0 - 40°C/20 - 80% RH (no condensation)
Dimensions	W44 x H28 x D96 mm (Extruded areas not included)
Weight	130 g
Compliant standards	PSE, UL, CE

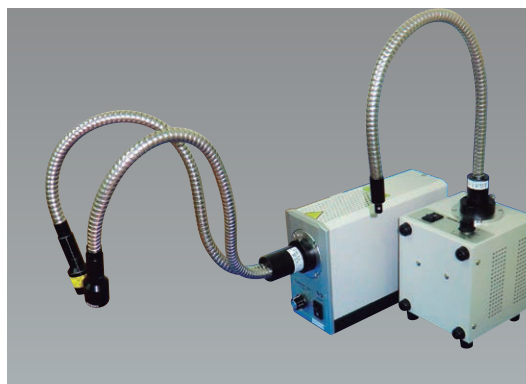
Outline Drawing



Sample image with stereomicroscope



Comparison with LA-HDF 108AS



Options

